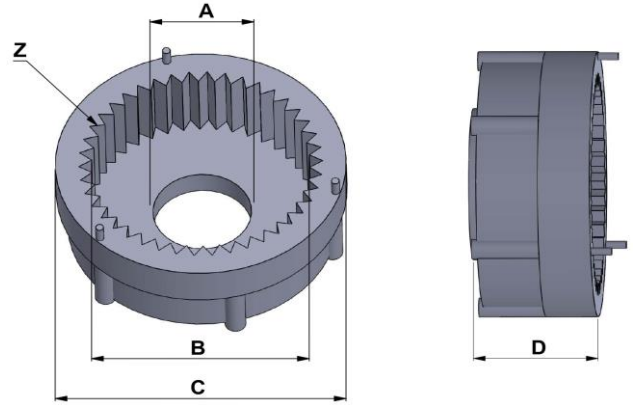


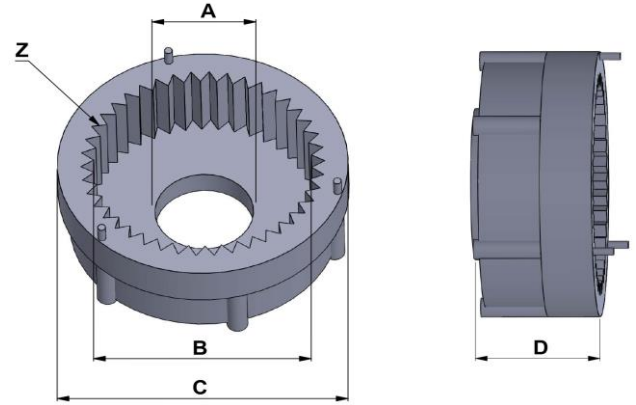
MEDIDAS DE PLANETARIOS

CODIGO	A	B	C	D	Z
P1301	18.0	52.6	74.5	31.0	42
P1302	18.0	47.3	70.0	24.0	37
P1303	-	53.9	86.0	14.7	42
P1304	19.0	52.7	63.0	24.5	45
P1305	18.0	47.1	69.8	27.0	37
P1306	-	46.3	64.0	13.8	39
P1307	18.0	43.8	60.4	25.0	59
P1308	20.0	54.8	72.0	27.5	56
P1309	18.0	43.6	60.4	25.0	37
P1310	18.0	44.1	60.5	25.0	41
P1311	19.0	46.6	72.9	25.0	37
P1312	17.5	47.0	73.4	27.8	37
P1313	18.0	-	74.0	32.7	-
P1314	18.0	-	69.9	25.0	-
P1315	18.0	-	74.0	27.0	-
P1316	22.3	48.6	61.9	29.0	50
P1318	18.0	45.0	69.8	23.6	36
P1319	18.0	45.3	70.0	24.0	36
P1320	18.0	-	69.8	28.3	-
P1321	17.5	47.0	73.0	25.0	37
P1322	18.0	-	74.3	27.0	-
P1323	-	50.5	65.0	14.0	44
P1324	-	47.2	65.0	14.3	37
P1325	-	46.5	65.3	14.25	39
P1326	20.0	57.4	67.5	35.0	59
P1328	20.0	53.4	71.5	27.3	56
P1329	18.0	-	79.5	27.0	-
P1330	-	51.3	62.0	23.5	43
P1331	20.0	54.8	67.5	36.5	56
P1332	18.0	-	86.0	30.8	-
P1333	18.0	40.5	66.0	22.5	36
P1334	18.0	43.7	66.0	22.5	37
P1335	18.0	46.4	66.0	22.5	42
P1336	18.0	-	65.8	22.5	-
P1337	12.0	51.8	65.7	21.7	37
P1337T	12.0	51.8	65.7	21.7	37
P1338	22.3	49.4	52.8	27.8	43
P1339	22.3	48.7	58.8	27.8	50
P1341	-	52.3	65.8	22.0	42
P1342	-	52.4	63.6	24.5	45
P1343	18.0	51.4	68.0	28.0	55
P1344	18.0	51.3	68.0	23.0	55
P1345	-	47.0	70.8	23.7	37
P1346	-	52.2	70.0	24.3	43
P1347	22.3	48.7	62.0	29.0	50
P1348	20.0	48.5	60.8	23.5	50
P1349	19.0	-	72.8	24.0	-
P1350	20.0	54.7	72.0	27.5	56
P1351	19.0	-	72.6	24.4	-
P1352	19.0	-	72.6	24.4	-
P1353	19.0	49.7	64.8	30.0	43
P1354	17.5	47.0	65.0	30.0	42
P1355	18.0	-	70.0	24.7	-
P1356	19.0	46.7	72.8	28.0	37



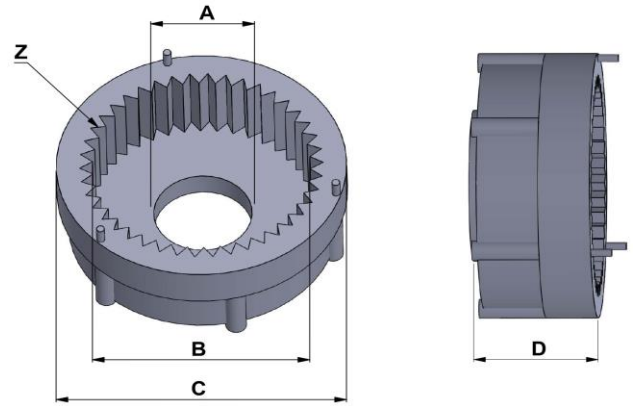
MEDIDAS DE PLANETARIOS

CODIGO	A	B	C	D	Z
P1357	19.0	41.5	56.0	23.5	42
P1358	11.0	39.0	54.6/49.2	17.0	41
P1359	11.0	39.0	54.6/49.2	17.0	41
P1362	18.0	-	70.2	28.2	-
P1364	22.3	48.8	58.0	26.7	50
P1365	22.3	47.0	67.0	34.5	48
P1366	19.0	49.5	64.9	30.3	43
P1367	-	50.5	62.5	25.5	59
P1368	18.0	-	91.1	25.0	-
P1370	17.5	47.0	64.0	29.8	42
P1371	22.3	49.5	62.0	29.6	43
P1372	17.5	50.9	65.0	30.5	44
P1375	-	46.3	60.7	25.5	37
P1376	20.0	54.7	72.2	28.0	56
P1377	20.0	54.7	71.5	26.3	56
P1378	18.0	51.5	74.0	26.0	42
P1379	18.0	-	70.0	28.4	-
P1380	18.0	45.3	64.4	22.2	40
P1381	17.0	43.8	60.0	23.0	37
P1382	17.0	44.8	60.1	23.3	41
P1383	21.8	-	93.0	42.0	-
P1384	17.0	46.8	59.8	23.0	47
P1385	17.0	50.0	59.7	23.4	47
P1386	22.3	46.4	62.0	31.0	48
P1387	17.5	47.3	63.9	30.0	42
P1388	17.5	47.3	64.9	30.0	42
P1389	17.5	43.4	62.0	23.0	40
P1390	13.6	41.8	71.1	24.0	41
P1391	9.0	47.8	57.8	23.3	53
P1392	-	47.0	66.0	22.5	37
P1393	20.5	50.2	70.0	30.5	44
P1395	17.6	49.5	58.8	30.6	43
P1396	-	46.8	62.1	26.0	37
P1397	18.0	43.3	66.8	29.0	40
P1398	-	52.7	65.9	25.0	42
P1399	18.0	-	73.8	37.0	-
P13105	-	46.9	68.5	27.0	37
P13106	-	51.5	68.0	23.5	55
P13107	22.3	46.7	66.0	29.8	48
P13108	-	51.8	66.0	23.5	55
P13109	-	55.6	75.5	14.0	46
P13110	18.0	43.8	65.0	22.0	38
P13111	22.3	-	68.5	29.5	-
P13112	18.0	-	61.0	24.0	-
P13113	14.0	-	60.6	28.8	-
P13114	14.0	-	60.6	28.8	-
P13115	-	52.4	66.0	25.6	42
P13116	20.0	48.4	58.5	27.5	50
P13117	17.5	-	68.2	29.5	54
P13118	16.1	48.7	59.9	22.2	46
P13119	-	56.5	70.9	27.7	43
P13120	16.6	41.6	60.5	22.5	43



MEDIDAS DE PLANETARIOS

CODIGO	A	B	C	D	Z
P1500	19.0	47.2	72.9	25.0	37
P1501	18.0	52.7	54.5	30.8	42
P1502	18.0	48.6	74.4	33.0	38
P1503	18.0	48.5	74.0	33.0	38
P1504	19.0	52.4	63.0	24.5	45
P1505	18.0	46.5	74.0	33.0	37
P1506	18.0	52.3	73.8	33.0	42
P1507	18.0	50.1	79.5	27.5	40
P1508	18.0	48.5	73.5	27.0	38
P1511	18.0	47.0	69.8	23.5	37
P1512	19.0	47.0	72.7	25.0	37
P1518	18.0	45.0	69.8	23.5	36
P1519	18.0	45.0	69.8	23.5	36
P1521	17.5	47.0	72.5	25.0	37
P1532	18.0	52.7	85.9	30.0	42
P1547	-	42.0	58.8	10.3	39
P1547R	-	42.0	58.8	10.3	39
P1548	-	52.7	63.8	13.0	42
P1549	-	52.5	64.0	13.3	42
P1550	18.0	46.5	70.0	25.0	37
P1551	18.0	44.6	70.0	35.0	36
P1552	-	50.0	62.5	12.0	40
P1553	18.0	41.0	61.0	26.0	42
P1554	18.0	46.0	70.0	28.5	37
P1555	-	46.2	62.0	13.5	37
P1556	18.0	46.7	70.0	35.0	37
P1558	17.5	47.3	65.0	25.6	41
P1559	22.0	62.0	89.8	37.7	42
P1560	18.0	46.3	69.8	25.0	37
P1561	22.0	62.0	88.8	37.7	42
P1562	9.0	47.8	57.8	23.3	53
P1567	20.0	51.0	70.0	31.0	44
P1568	18.0	47.2	91.0	25.0	39
P1568R	18.0	47.2	91.0	25.0	39
P1569	18.0	45.3	70.0	23.0	40
P1581	18.0	47.2	70.4	27.8	37
P1582	-	46.5	57.0	13.0	38
P1583	-	57.9	92.9	22.0	48
P1584	22.0	58.0	93.0	43.0	48
P1586	18.0	46.5	70.0	29.0	37
P1587	18.0	46.5	70.0	29.0	37
P1588	22.1	49.0	62.3	29.0	50
P1589	22.0	49.0	57.7	26.7	50
P1590	18.0	44.5	70.0	28.0	36
P1591	22.3	46.1	66.6	34.5	48
P1592	18.0	46.5	70.0	25.5	37
P1593	22.0	49.8	62.0	29.5	43
P1594	17.5	50.8	65.0	31.0	44
P1595	17.5	47.0	65.0	30.5	42
P1596	17.5	47.0	63.1	30.0	42
P1597	19.0	49.6	65.0	30.0	43



MEDIDAS DE PLANETARIOS

CODIGO	A	B	C	D	Z
P1598	19.0	49.5	64.9	38.4	43
P1599	18.8	43.3	65.9	22.0	37
P15600	18.0	45.1	70.0	23.5	36
P15601	18	48.3	70.0	28.1	40
P15602	-	48.4	57.8	-	40
P15603	18.0	-	85.9	30.5	41
P15604	22.0	62.2	89.8	23.6	42
P15605	18.8	48.5	86.0	29.6	38
P15606	18.0	52.3	73.5	32.0	42
P15607	17.5	47.3	65.0	25.5	42
P15608	18.0	39.8	68.9	23.7	36
P15609	18.0	48.6	74.0	24.5	38
P15610	18.0	46.0	66.0	22.0	42
P15611	17.6	49.2	65.0	31.0	43
P15612	22.3	46.4	67.2	33.5	48
P15613	22.3	45.7	68.2	29.0	46
P15614	18.0	48.5	86.0	17.5	38
P15615	18.0	50.3	79.3	26.0	40
P15616	18.0	48.5	74.0	37.0	38
P15617	-	52.7	63.6	13.0	42
P15618	18.0	-	79.4	26.8	36
P15619	18.0	43.0	66.2	22.0	37
P15620	18.0	45.0	67.9	27.0	40
P15621	17.5	51.2	65.0	31.0	44
P15622	15.0	49.4	-	17.0	31
P15623	19.0	43.1	66.0	22.5	37
P15624	17.5	43.4	62.0	22.7	40
P15625	-	51.6	63.0	23.7	43
P15626	17.0	43.4	62.0	22.7	46
P15627	17.0	50.0	60.0	22.0	47
P15628	40.0	52.0	66.0	23.0	42
P15629	-	58.6	73.5	12.6	39
P15630	18.0	51.0	72.5	28.2	55
P15631	40.0	47.0	66.0	22.8	37
P15632	40.0	47.0	66.0	22.6	37

